

**S6680201-1, S6680202-1 - Thermostatic Shower Package**

**Description**

Thermostatic Shower package one includes:

- Shower arm - (P08281xx)
  
- Shower head - (P22273xx)
- 1.8 GPM ASME Compliant
- 1/2" Connection
  
- Valve trim - (P29251xx)
- Includes:
  - Face plate
  - Lever handles
  - Decorative sleeve for valve
  
- Thermostatic valve - (P2023199)
- Solid brass construction
- 1/2" Thermostatic valve body with built in two way diverter and stop
- Flow rate: 10 GPM @ 60 PSI
- 1/2" Connections
  
- Hand shower - (P21313xx)
- Single setting hand shower
  
- Wall bracket - (P05321xx)
- Solid brass construction
- Hose - (P01413xx)
  
- Supply elbow - (P05331xx)
- Solid brass construction



S6680201-1

**Standards**

- Complies with IAPMO cUPC
- ASSE 1016
- ADA Accessibility Guidelines for Buildings and Facilities - 4.27.4 Controls and Mechanisms (lever handle only)

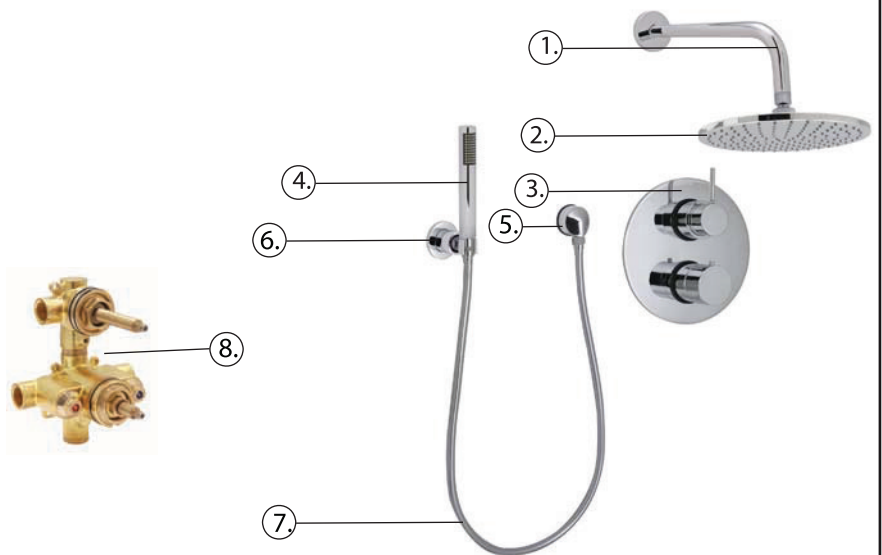


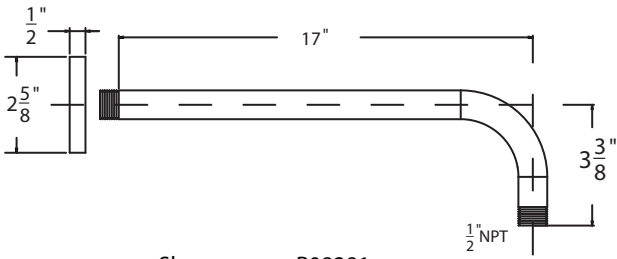
**Colors / Finishes**

- S6680201-1 - Chrome
- S6680202-1 - PVD Satin Nickel

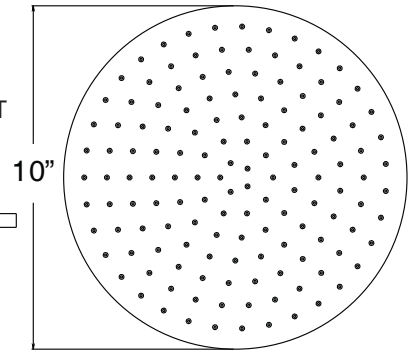
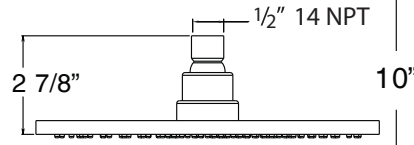
**BREAK DOWN  
Component Parts List**

NO.	Part No	Qty
01	P08281xx	1
02	P22273xx	1
03	P29251xx	1
04	P21313xx	1
05	P05331xx	1
06	P05321xx	1
07	P01413xx	1
08	P2023199	1

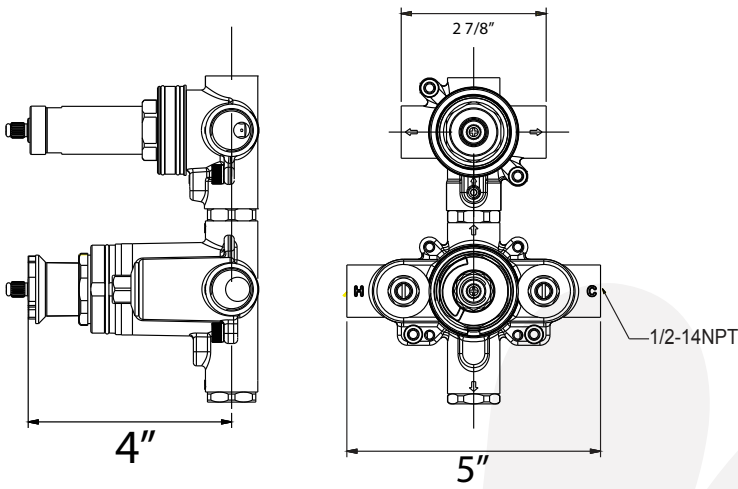




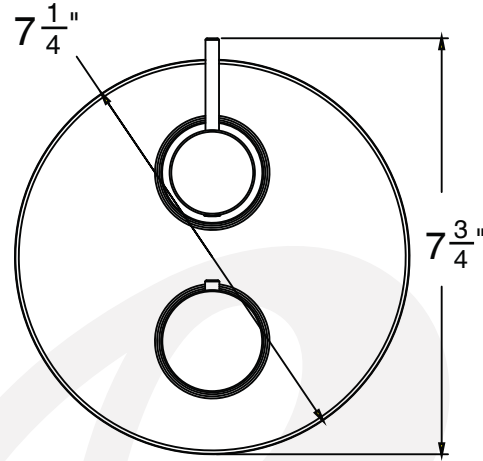
Shower arm - P08281xx



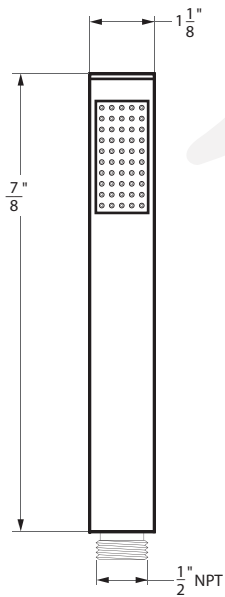
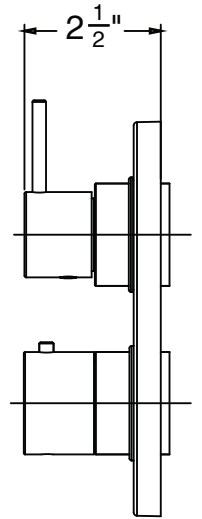
Shower Head - P22273xx



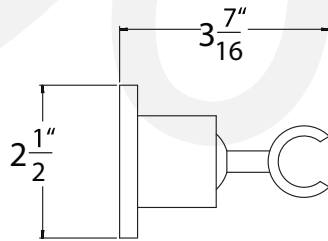
1/2" Thermostatic valve - P2023199



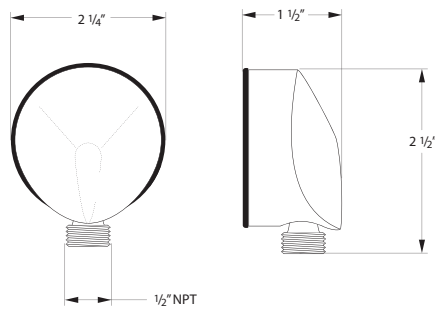
Valve Trim - P29251xx



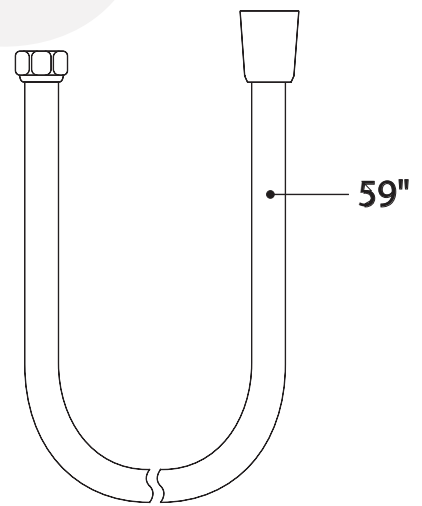
Hand Shower - P21313xx



Wall Bracket - P05321xx



Supply Elbow - P05331xx



Hose - P01413xx

Item Number	Type	Date
S6680201-1, S6680202-1	1/2" Thermostatic Package	02/15/2018