

**S6661001-1 S6661002-1 - Thermostatic Package**

**Description**

Thermostatic Shower package one includes:

- Shower arm - (P08281xx-1)
  
- Shower head - (P21273xx)
- 1.8 GPM ASME Compliant
- 1/2" Connection
  
- Valve trim - (P28251xx)
- Includes:
  - Face plate
  - Lever handles
  - Decorative sleeve for valve
  
- Thermostatic valve - (P2023199)
- Solid brass construction
- 1/2" Thermostatic valve body with built in two way diverter and stop
- Flow rate: 10 GPM @ 60 PSI
- 1/2" Connections
  
- Hand shower - (P22313xx)
- Single setting hand shower
  
- Wall bracket - (P06321xx)
- Solid brass construction
- Hose - (P01413xx)
  
- Supply elbow - (P04331xx)
- Solid brass construction



S6661001-1

**Standards**

- Complies with IAPMO cUPC
- ASSE 1016
- ADA Accessibility Guidelines for Buildings and Facilities - 4.27.4 Controls and Mechanisms (lever handle only)

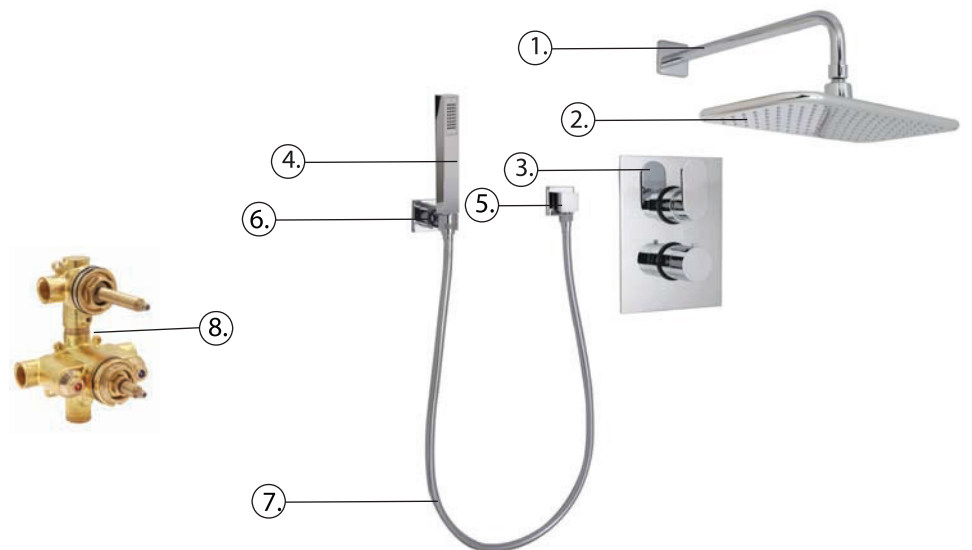


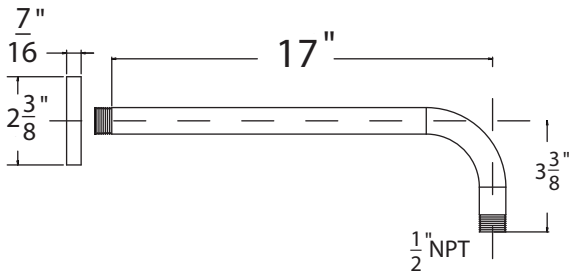
**Colors / Finishes**

- S6661001-1 - Chrome
- S6661002-1 - PVD Satin Nickel

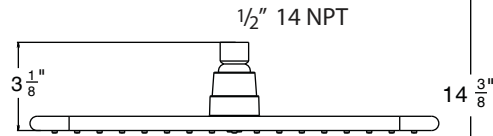
**BREAK DOWN  
Component Parts List**

NO.	Part No	Qty
01	P008281xx-1	1
02	P21273xx	1
03	P07251xx	1
04	P22313xx	1
05	P04331xx	1
06	P06321xx	1
07	P01413xx	1
08	P2023199	1

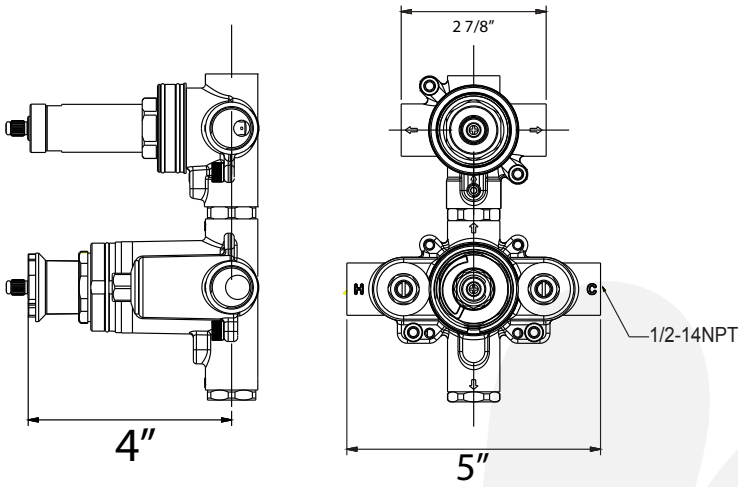




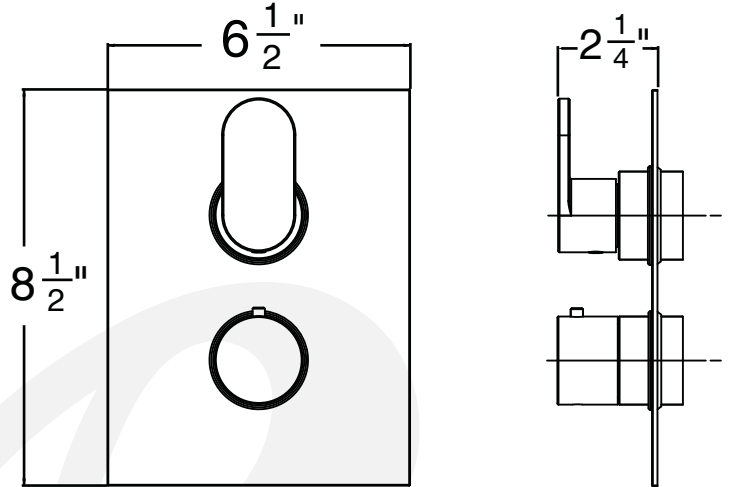
Shower arm - P08281xx-1



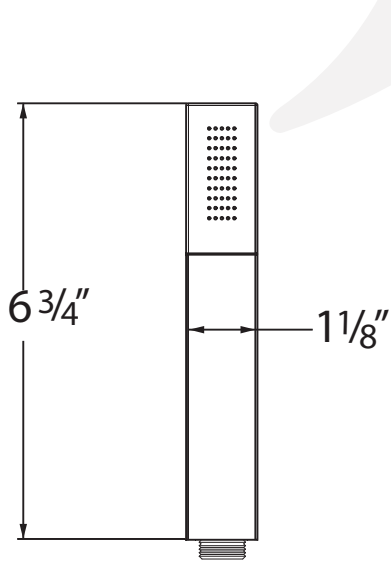
Shower Head - P21273xx



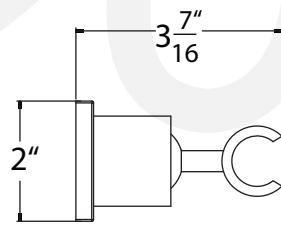
1/2" Thermostatic valve - P2023199



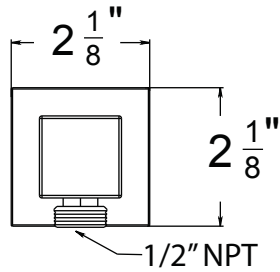
Valve Trim - P28251xx



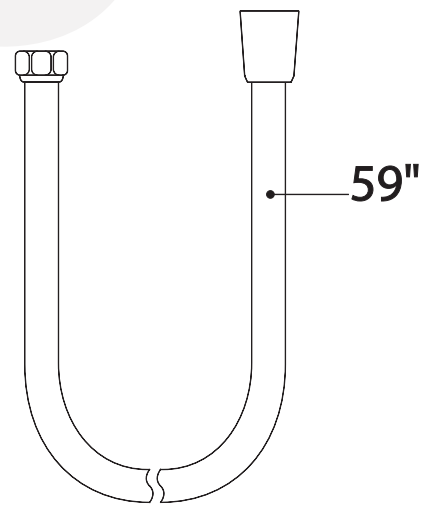
Hand Shower - P22313xx



Wall Bracket - P06321xx



Supply Elbow - P04331xx



Hose - P01413xx

Item Number	Type	Date
S6661001-1, S6661002-1	1/2" Thermostatic Package	1/25/2018